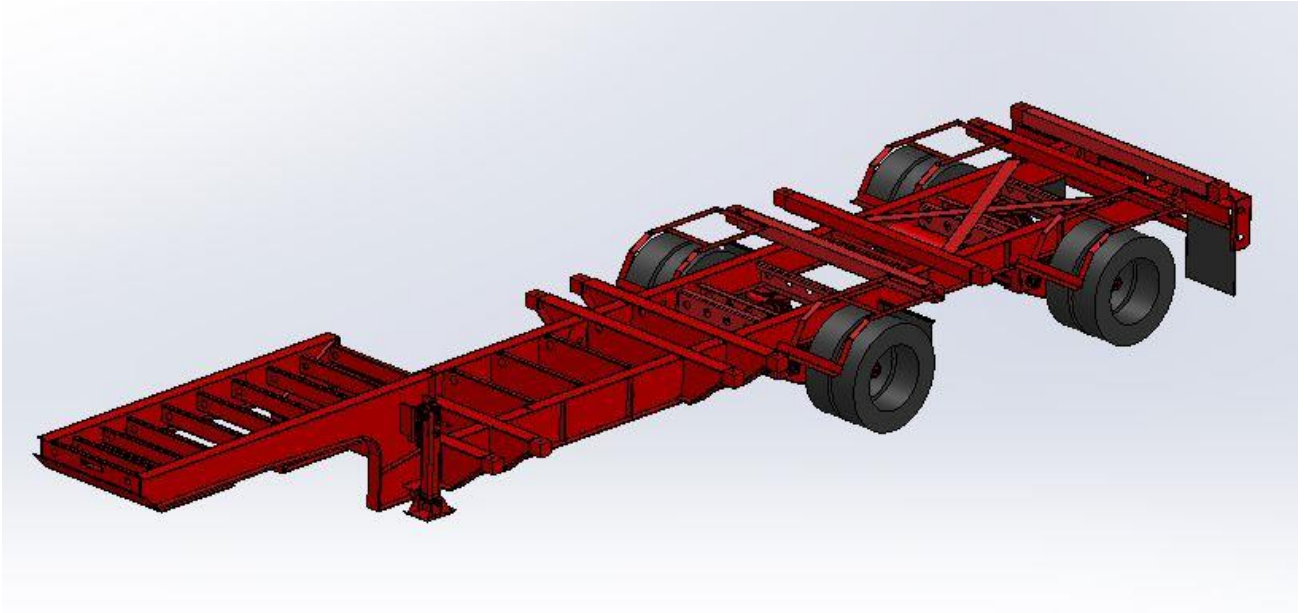


TRAILERS BY SOUTHERN

FRAC SAND CHASSIS



GENERAL CONSTRUCTION

MODEL:	TBSFSC-001
SPECIFICATIONS:	NON-CODE, NON-SPEC
PRODUCT:	ALL FRAC SAND CONTAINERS (ARROWS UP, PROP X, HALLIBURTON)
CAPACITY:	GVWR- 69,000 LBS. TARE WEIGHT- 9,000 LBS.
DESIGN:	HAUL ONE FULL ARROWS UP, HALLIBURTON OR TWO FULL PROP X CONTAINERS. HAUL TWO EMPTY BOXES OF ANY KIND
OVERALL LENGTH:	40' FRONT TO BUMPER
OVERALL WIDTH:	102" FENDER TO FENDER
MATERIAL:	MAIN BEAM, CROSSMEMBERS - A572 GRADE 50 STEEL FENDER BRACKETS, BUMPER, ETC - A36 STEEL

EFFECTIVE DATE: JANUARY 2, 2019

FRAC SAND CHASSIS - CONTINUED

BUMPER: 102" WIDE STEEL DOT

PIN TYPE: (16) BUFFERS TWISTLOCK 1101-3729-RS

OVERTURN PROTECTION: NONE

KING PIN: 48" GROUND TO KINGPIN PLATE

FENDERS: (4) BLACK RUBBER SINGLE RADIUS SINGLE TIRE FENDERS
(4) SOUTHERN LOGO MUDFLAPS AT REAR

TOOLBOX: NONE

ELECTRICAL SYSTEM

LIGHTS: TAIL AND MARKER LIGHTS
3-TAIL LIGHT GROUP EACH SIDE AT REAR. OUTSIDE – RED CLEARANCE/TURN, CENTER – AMBER TURN, INSIDE – RED STOP/TAIL
(3) MARKER SINGLE FUNCTION LIGHTS PER SIDE
(1) SEQUENTIAL TURN SIGNAL EACH SIDE NEAR CENTER MOUNTED OFF FRONT OF HOSE TUBES
I.D. CLUSTER ON REAR HEAD
LICENSE LIGHT AND BRACKET ON REAR HEAD

WORKLIGHTS: NONE

UNDERCARRIAGE

SUSPENSION: (2) WATSON & CHALIN 30K AIR SPRING

AXLES: (2) 5" ROUND, 77 1/2" TRACK, 3/4" WALL

BRAKES: 16 1/2" X 7" "Q" LININGS

WHEEL END TYPE: 10 STUD HUB PILOT (HP10)

HUBS: (4) STEMCO OIL SEALS AND HUBCAPS

DRUMS: (4) OUTBOARD

DUST SHIELDS: NONE

ABS/BRAKE SYSTEM: MERITOR/WABCO (4S/2M) PLC ABS

BRAKE CHAMBERS: (4) 30/30 SPRING BRAKE CHAMBERS

SLACK ADJUSTERS: (4) 5 1/2" AUTOMATIC SLACK ADJUSTERS

EFFECTIVE DATE: JANUARY 2, 2019

FRAC SAND CHASSIS - CONTINUED

WHEELS: (8) 8.25 X 22.5 STEEL

TIRES: (8) 255/70R22.5

LANDING GEAR: JOST TWO SPEED
STREETSIDE CRANK AND SAND SHOES
BOLSTER STYLE BRACKET

BUMPERS: STEEL D.O.T. BUMPER

FINISH

COATING: DTM EPOXY COATING

COLOR: PER CUSTOMER SPEC

CONSPICUITY: 2" WIDE REFLECTIVE TAPE
D.O.T. MINIMUM COVERAGE

SIGNS: STANDARD SOUTHERN EMBLEM

REGISTRATION: NONE

EFFECTIVE DATE: JANUARY 2, 2019